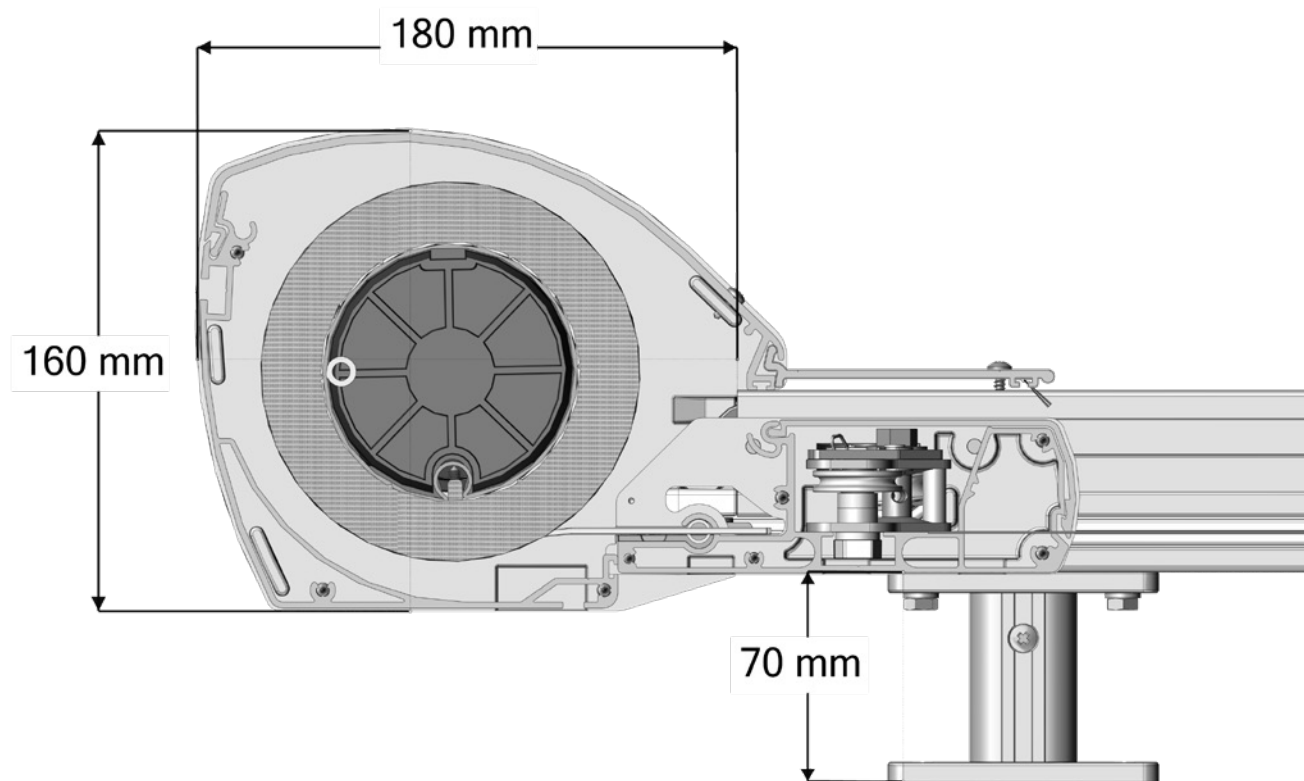
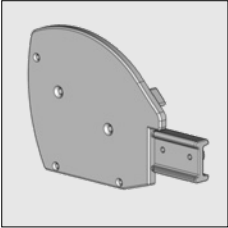
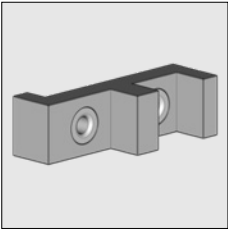
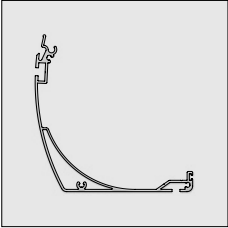




# Conservatory awning Solidare®



# Conservatory awning Solidare®

Part number	Description	Paint finish	Length in m <sup>1</sup> Pack. Unit
	4217 355-090 Alu end fix bracket Solidare, left	Mill finish	
	4217 357-090 Idem, right	Mill finish	
	4217 355-006 Alu end fix bracket Solidare, left	RAL 9010 pure white	
	4217 357-006 Idem, right	RAL 9010 pure white	
	4217 355-901 Alu end fix bracket Solidare, left	RAL 9001 cream	
	4217 357-901 Idem, right	RAL 9001 cream	
	4217 355-755 Alu end fix bracket Solidare, left (* = Textured)	RAL 7016 anthracite grey*	
	4217 357-755 Idem, right	RAL 7016 anthracite grey*	
	4217 310-000 Drilling template piece for side guide (to fasten the top cover support to the side guide)		
	6252 148-000 Alu bottom cover Piazzola/Solidare	Mill finish	4.0
	6252 154-000 Idem	Mill finish	5.0
	6252 150-000 Idem	Mill finish	6.0
	6252 152-000 Idem	Mill finish	7.0
	6252 148-006 Alu bottom cover Piazzola/Solidare	RAL 9010 pure white	4.0
	6252 154-006 Idem	RAL 9010 pure white	5.0
	6252 150-006 Idem	RAL 9010 pure white	6.0
	6252 152-006 # Idem	RAL 9010 pure white	7.0
	6252 148-901 # Alu bottom cover Piazzola/Solidare	RAL 9001 cream	4.0
	6252 154-901 Idem	RAL 9001 cream	5.0
	6252 150-901 Idem	RAL 9001 cream	6.0
	6252 148-755 Alu bottom cover Piazzola/Solidare (* = Textured)	RAL 7016 anthracite grey*	4.0
	6252 154-755 Idem	RAL 7016 anthracite grey*	5.0
	6252 150-755 Idem	RAL 7016 anthracite grey*	6.0
	6252 152-755 Idem	RAL 7016 anthracite grey*	7.0
	4211 130-080 Nylon insert strip for stopper in bottom cover	Black	50
	4211 132-080 Idem	White	50
	4210 142-000 Plate screw countersunk Philips head 4.2 x 32 mm (To fix bottom cover to the cover support)		100

# = Article will be sold out. Special orders remain possible.

# Conservatory awning Solidare®

Part number	Description	Paint finish	Length in m <sup>1</sup> Pack. Unit
6252 300-000	Alu top cover Solidare	Mill finish	4.0
6252 304-000	Idem	Mill finish	5.0
6252 308-000	Idem	Mill finish	6.0
6252 300-006	Alu top cover Solidare	RAL 9010 pure white	4.0
6252 304-006	Idem	RAL 9010 pure white	5.0
6252 308-006	Idem	RAL 9010 pure white	6.0
6252 300-901	Alu top cover Solidare	RAL 9001 cream	4.0
6252 304-901	Idem	RAL 9001 cream	5.0
6252 308-901	Idem	RAL 9001 cream	6.0
6252 300-755	Alu top cover Solidare (* = Textured)	RAL 7016 anthracite grey*	4.0
6252 304-755	Idem	RAL 7016 anthracite grey*	5.0
6252 308-755	Idem	RAL 7016 anthracite grey*	6.0

The top cover can be extended with profile 6295 980/984/988. Always apply this cover extension for the Cubola.

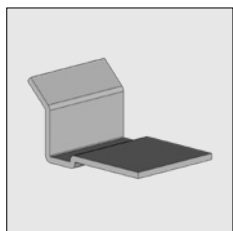
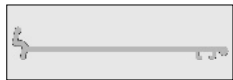
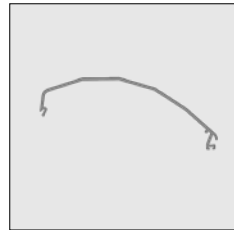
6295 980-000	Alu cover extension	Mill finish	4.0
6295 984-000	Idem	Mill finish	5.0
6295 988-000	Idem	Mill finish	6.0
6295 980-006	Alu cover extension	RAL 9010 pure white	4.0
6295 984-006	Idem	RAL 9010 pure white	5.0
6295 988-006	Idem	RAL 9010 pure white	6.0
6295 980-755	Alu cover extension (* = Textured)	RAL 7016 anthracite grey*	4.0
6295 984-755	Idem (* = Textured)	RAL 7016 anthracite grey*	5.0
6295 988-755	Idem (* = Textured)	RAL 7016 anthracite grey*	6.0

4217 345-000	Bracket to support cover extension. Apply upward of 4.5 m. width		
--------------	--	--	--

4215 190-080	Bristle for top cover	Black	25
4215 190-000	Idem	Black	500

4217 190-000	(AISI410) drill screw ZB.BK/KK 4.2 x 13 mm. (To fix the top cover to the cover support and bracket 4217 345-000 to the top cover)		100
--------------	--	--	-----

4600 392-000	(AISI410) drill screw ZB.BK/KK 4.2 x 25 mm. (To fix the cover extension to the guide).		100
--------------	---	--	-----



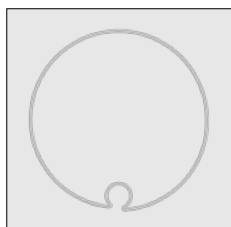
# = Article will be sold out. Special orders remain possible.

# Conservatory awning Solidare®

Part number	Description	Paint finish	Length in m <sup>1</sup> Pack. Unit
-------------	-------------	--------------	--

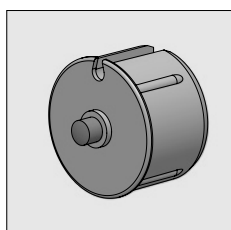


7700 952-006	Nylon sealing cap for drill screw 4.2	pure white	125
7700 952-901	Idem	cream white	125
7700 952-716	Idem	anthracite grey	125
7700 952-905	Idem	black	125



6253 382-000	Steel tube 85 x 1,25 mm with round groove (spec.)	zinc-plated	4.0
6253 384-000	Idem	zinc-plated	4,5
6253 386-000	Idem	zinc-plated	5.0
6253 390-000	Idem	zinc-plated	6.0
6253 392-000	Idem	zinc-plated	6.5
6253 394-000	Idem	zinc-plated	7.0
6253 396-000	Idem	zinc-plated	7.5

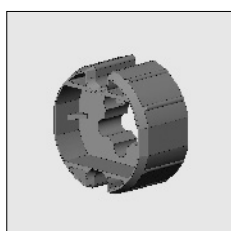
6253 382-008	Steel tube 85 x 1,25 mm with round groove (spec.)	RAL 7035 light grey	4.0
6253 384-008	Idem	RAL 7035 light grey	4,5
6253 386-008	Idem	RAL 7035 light grey	5.0
6253 390-008	Idem	RAL 7035 light grey	6.0
6253 392-008	Idem	RAL 7035 light grey	6.5
6253 394-008	Idem	RAL 7035 light grey	7.0
6253 396-008	Idem	RAL 7035 light grey	7.5



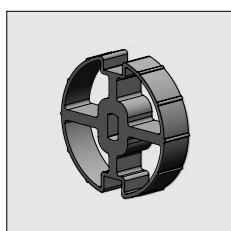
4217 202-000	Nylon bearing roller bung 85 with axe 15 mm		
--------------	---	--	--



4217 205-000	Nylon washer spindle hole 16 mm for bearing roller bung 4217 202-000		10
--------------	--	--	----



4000 951-000	Somfy friction ring for motor series 50/60 roller 85		
--------------	--	--	--



4001 133-068	ASA friction ring for motor series 45/50 roller 85		
--------------	--	--	--

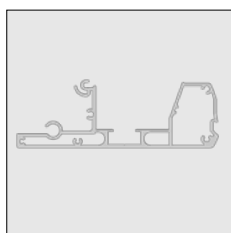
# = Article will be sold out. Special orders remain possible.

# Conservatory awning Solidare®

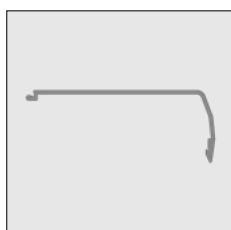
Part number	Description	Paint finish	Length in m <sup>1</sup> Pack. Unit
	4001 106-068 ASA clamp spring kit (to fix friction ring 4001 133-068)		
	4000 952-000 Somfy/ASA adaptor for motor series 60 roller 85		
	4000 953-000 Adaption ring Somfy/ASA motor series 50 roller 85 in combination with adapter 4000 952-000		
	4217 080-000 Nylon cord pulley roller 85		
	4215 114-068 Nylon bearing block incl. precision bearing		
	4215 110-000 Alu motor bracket for Somfy (S)LT motors		
	4215 111-000 Alu motor bracket for ASA motors		

# = Article will be sold out. Special orders remain possible.

# Conservatory awning Solidare®



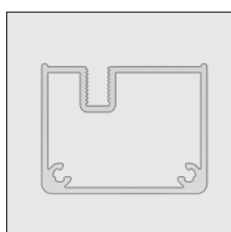
Part number	Description	Paint finish	Length in m <sup>1</sup> Pack. Unit
6252 500-000	Alu front profile Solidare	Mill finish	4.0
6252 504-000	Idem	Mill finish	5.0
6295 508-000	Idem	Mill finish	6.0
6252 500-006	Alu front profile Solidare	RAL 9010 pure white	4.0
6252 504-006	Idem	RAL 9010 pure white	5.0
6252 508-006	Idem	RAL 9010 pure white	6.0
6252 500-901	Alu front profile Solidare	RAL 9001 cream	4.0
6252 504-901	Idem	RAL 9001 cream	5.0
6252 508-901	Idem	RAL 9001 cream	6.0
6252 500-755	Alu front profile Solidare (* = Textured)	RAL 7016 anthracite grey*	4.0
6252 504-755	Idem (* = Textured)	RAL 7016 anthracite grey*	5.0
6252 508-755	Idem (* = Textured)	RAL 7016 anthracite grey*	6.0



6252 360-000	Alu cover profile-front profile Solidare	Mill finish	4.0
6252 364-000	Idem	Mill finish	5.0
6252 368-000	Idem	Mill finish	6.0
6252 360-006	Alu cover profile-front profile Solidare	RAL 9010 pure white	4.0
6252 364-006	Idem	RAL 9010 pure white	5.0
6252 368-006	Idem	RAL 9010 pure white	6.0
6252 360-901	Alu cover profile-front profile Solidare	RAL 9001 cream	4.0
6252 364-901	Idem	RAL 9001 cream	5.0
6252 368-901	Idem	RAL 9001 cream	6.0
6252 360-755	Alu cover profile-front profile Solidare (* = Textured)	RAL 7016 anthracite grey*	4.0
6252 364-755	Idem (* = Textured)	RAL 7016 anthracite grey*	5.0
6252 368-755	Idem (* = Textured)	RAL 7016 anthracite grey*	6.0

## Tension wire system for front profile.


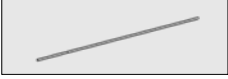
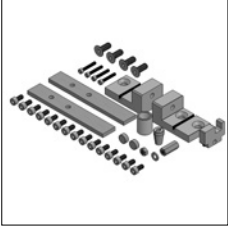
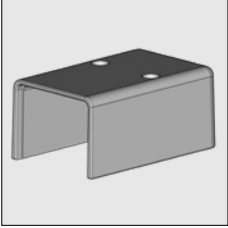
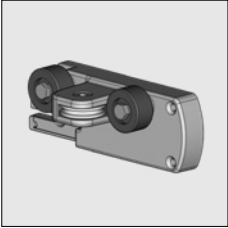

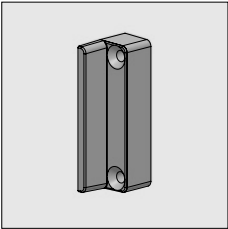

To prevent that the front profile will sag on larger widths, the tension wire system below can be applied and mounted under the front profile. To be used under all systems with front profiles. Cubola Piazzola, Piazzola, Summerlight and Summerlight Verso. Take into account that the right distance brackets and support roller are to be used. **ATTENTION! The colors below are not available for every system.**



6295 688-000	Alu cover profile for tension wire system	Mill finish	5.0
6295 690-000	Idem	Mill finish	6.0
6295 688-006	Alu cover profile for tension wire system	RAL 9010 pure white	5.0
6295 690-006	Idem	RAL 9010 pure white	6.0
6295 688-901	Alu cover profile for tension wire system	RAL 9001 cream	5.0
6295 690-901	Idem	RAL 9001 cream	6.0
6295 688-755	Alu cover profile for tension wire system (* = Textured)	RAL 7016 anthracite grey*	5.0
6295 690-755	Idem (* = Textured)	RAL 7016 anthracite grey*	6.0

# = Article will be sold out. Special orders remain possible.

# Conservatory awning Solidare®

	Part number	Description	Paint finish	Length in m <sup>1</sup> Pack. Unit
	4215 272-000	Drilling template for tension wire system		
	6295 695-000	Stainless steel tension wire 304		6.5
	4215 256-068	Parts kit with fixing materials for tension wire system		
	4215 266-000	Alu end cap for tension blocks	Mill finish	
	4215 266-006	Idem	RAL 9010 pure white	
	4215 266-901	Idem	RAL 9001 cream	
	4215 266-755	Idem (* = Textured)	RAL 7016 anthracite grey*	
	4217 326-090	Alu guide pulley Solidare, left	Mill finish	
	4217 328-090	Idem, right	Mill finish	
	4217 326-006	Alu guide pulley Solidare, left	RAL 9010 pure white	
	4217 328-006	Idem, right	RAL 9010 pure white	
	4217 326-901	Alu guide pulley Solidare, left	RAL 9001 cream	
	4217 328-901	Idem, right	RAL 9001 cream	
	4217 326-755	Alu guide pulley Solidare, left (* = Textured)	RAL 7016 anthracite grey*	
	4217 328-755	Idem, right (* = Textured)	RAL 7016 anthracite grey*	
	4210 152-000	Stainless steel plate screw countersunk Philips head 4.2 x 45 mm (to fix the guide pulley to the front profile)		100
	4452 470-905	Nylon end cap guide block upper side	Black	10
	4452 077-000	Stainless steel plate screw countersunk Philips head 3.5 x 32 mm (to fix the end cap upper side to the guide block/front profile)		100

# = Article will be sold out. Special orders remain possible.



# Conservatory awning Solidare®

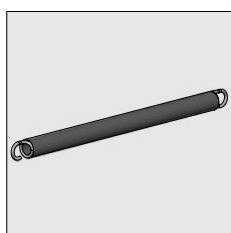
Part number	Description	Paint finish	Length in m <sup>1</sup> Pack. Unit
-------------	-------------	--------------	--



4217 399-905	Nylon end cap guide pulley upper part	Black	10
--------------	---------------------------------------	-------	----



4452 083-000	Plate screw countersunk Philips head 3.5 x 16 mm (To fix the end cap upper part to the lower part)		100
--------------	---	--	-----

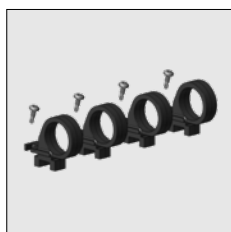


4215 183-000	Stainless steel spring 25 mm, length 350 mm (for projection up to 350 cm)		
4215 185-000	Stainless steel spring 25 mm, length 570 mm (for projection from 350 cm)		

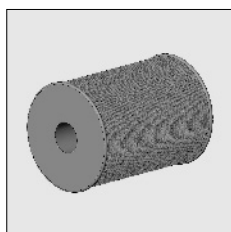
**Note: The springs are to be stretched up to a max. of 60% of the total spring length.**

**ATTENTION !!**

The pretension must be approximately 30% of the total lengths of the springs.  
The springs can be pretensioned when the front profile is close to the top cover.



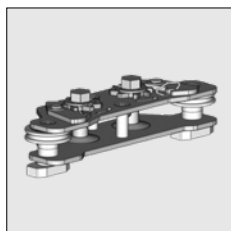
4217 460-068	Nylon support block for spring packet per 4 pieces (2 per spring)		
--------------	--	--	--



4215 155-000	Cord 2.5 mm	White	100
--------------	-------------	-------	-----



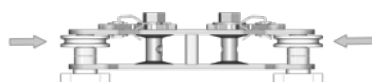
4215 158-000	Stainless steel pulley for cord 2.5 mm with nylon runner		10
--------------	--	--	----



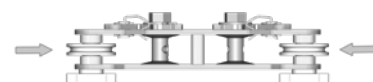
4215 022-068	Cord tensioner Solidare		
--------------	-------------------------	--	--

**ATTENTION !!**

For this cord tensioner the runners are positioned higher than the similar cord tensioner of the Summerlight®.



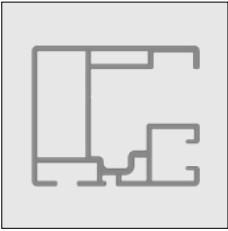


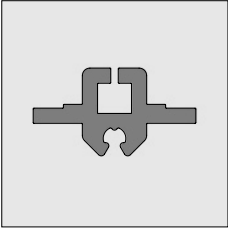
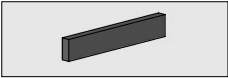
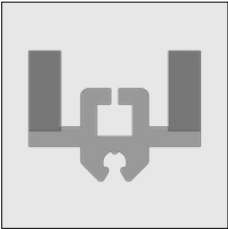


4215 022-068 cord tensioner Solidare



4215 020-068 cord tensioner Summerlight

# = Article will be sold out. Special orders remain possible.

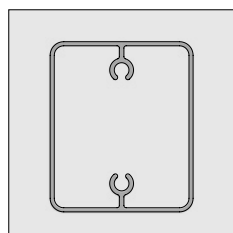
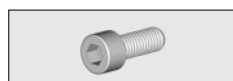
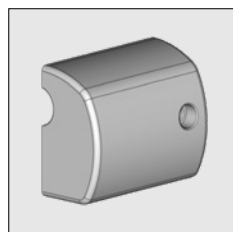
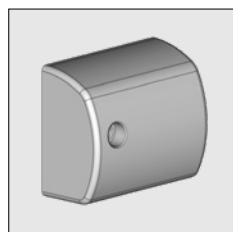
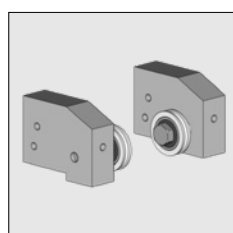
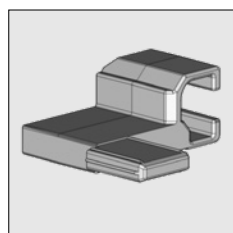
# Conservatory awning Solidare®

	Part number	Description	Paint finish	Length in m <sup>1</sup> Pack. Unit
	6252 384-000	Alu side guide Solidare	Mill finish	5.0
	6252 388-000	Idem	Mill finish	6.0
	6252 394-000	Idem	Mill finish	7,5
	6252 384-006	Alu side guide Solidare	RAL 9010 pure white	5.0
	6252 388-006	Idem	RAL 9010 pure white	6.0
	6252 394-006	Idem	RAL 9010 pure white	7,5
	6252 384-901	Alu side guide Solidare	RAL 9001 cream	5.0
	6252 388-901	Idem	RAL 9001 cream	6.0
	6252 394-901	Idem	RAL 9001 cream	7,5
	6252 384-755	Alu side guide Solidare (* = Textured)	RAL 7016 anthracite grey*	5.0
	6252 388-755	Idem	RAL 7016 anthracite grey*	6.0
	6252 394-755	Idem	RAL 7016 anthracite grey*	7,5
	4090 054-000	Stainless steel countersunk cross screw M 6 x 14 (To fix the cover support and bearing block set to the side guide support)		100
	4410 402-000	Stainless steel Washer M6		100
	4452 481-008	Nylon guide for side guide	Grey	6.0
	4452 485-008	Idem	Grey	7.0
	4452 484-008	Idem	Grey	7,5
	4452 487-000	Neoprene strip 10 x 4 x 60 mm self-adhesive. Use a strip every ± 50 cm on the nylon guide.		135
	4452 453-068	Nylon guide for single guide and centre guide incl. neoprene strips. Packed in 20 lengths. This article is also available in bulk packaging (500 lengths) 4452 453-008.	Grey	7.5
	4452 486-008	Nylon funnel for nylon guide	Grey	50
	4452 070-000	Plate screw countersunk Philips head 2.9 x 19 mm (to fx the funnel on nylon guide)		100

# = Article will be sold out. Special orders remain possible.

# Conservatory awning Solidare®

Part number	Description	Paint finish	Length in m <sup>1</sup> Pack. Unit
4217 390-000	Alu guide plate for side guide Solidare, left	Mill finish	
4217 392-000	Idem, right	Mill finish	
4217 390-006	Alu guide plate for side guide Solidare, left	RAL 9010 pure white	
4217 392-006	Idem, right	RAL 9010 pure white	
4217 390-901	Alu guide plate for side guide Solidare, left	RAL 9001 cream	
4217 392-901	Idem, right	RAL 9001 cream	
4217 390-755	Alu guide plate for side guide Solidare, left (* = Textured)	RAL 7016 anthracite grey*	
4217 392-755	Idem, right (* = Textured)	RAL 7016 anthracite grey*	
4217 386-001	Alu bearing block Solidare	Silver anodized	
4217 395-000	Alu end cover left for bearing block 4217 386-001	Mill finish	
4217 395-006	Idem	RAL 9010 pure white	
4217 395-901	Idem	RAL 9001 cream	
4217 395-755	Idem (* = Textured)	RAL 7016 anthracite grey*	
4217 397-000	Alu end cover right for bearing block 4217 386-001	Mill finish	
4217 397-006	Idem	RAL 9010 pure white	
4217 397-901	Idem	RAL 9001 cream	
4217 397-755	Idem (* = Textured)	RAL 7016 anthracite grey*	
4217 185-000	Socket-head bolt M 6 x 16 cylinder head (To fix end cover to the end bearing)		50
<p><b>In case of large projections, the fabric can be supported by mounting the support beam (6252 180/182/184) under the guides. If there is a tensioning system mounted under the support beam, fix the support beam with brackets 130 mm.</b></p>			
6252 184-000	Alu support beam Piazzola/Solidare	Mill finish	5.0
6252 180-000	Idem	Mill finish	6.0
6252 182-000	Idem	Mill finish	7.0
6252 184-006	Alu support beam Piazzola/Solidare	RAL 9010 pure white	5.0
6252 180-006	Idem	RAL 9010 pure white	6.0
6252 182-006	Idem	RAL 9010 pure white	7.0
6252 184-901	Alu support beam Piazzola/Solidare	RAL 9001 cream	5.0
6252 180-901	Idem	RAL 9001 cream	6.0
6252 182-901	Idem	RAL 9001 cream	7.0

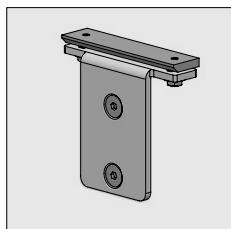


# = Article will be sold out. Special orders remain possible.

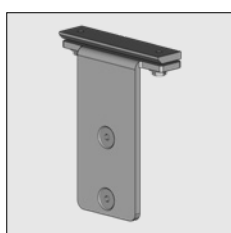
# Conservatory awning Solidare®

Part number	Description	Paint finish	Length in m <sup>1</sup> Pack. Unit
-------------	-------------	--------------	--

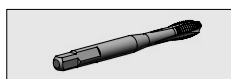
6252 184-755	Alu support beam Piazzola/Solidare (* = Textured)	RAL 7016 anthracite grey*	5.0
6252 180-755	Idem	RAL 7016 anthracite grey*	6.0
6252 182-755	Idem	RAL 7016 anthracite grey*	7.0



4217 152-090	Alu bracket 95 mm for fixing the support beam to the guide	Mill finish
4217 152-006	Idem	RAL 9010 pure white
4217 152-901	Idem	RAL 9001 cream
4217 152-755	Idem (* = Textured)	RAL 7016 anthracite grey*



4217 154-090	Alu bracket 130 for fixing the support beam to the guide	Mill finish
4217 154-006	Idem	RAL 9010 pure white
4217 154-901	Idem	RAL 9001 cream
4217 154-755	Idem (* = Textured)	RAL 7016 anthracite grey*

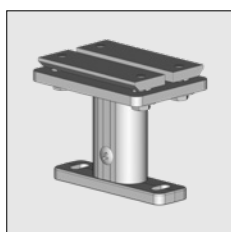


4217 240-000	Spiral flute tap M8, makes thread end in leg and in support beam	silver anodized
--------------	--	-----------------

Minimum height side guide support	Cord tensioner under front profile	Centre support beam (fabric support roller)
70 mm	No	No
100 mm	yes	No
100 mm	No	Yes
135 mm	Yes	Yes



4215 335-000	Alu side guide support 70 mm high	Mill finish
4215 335-006	Idem	RAL 9010 pure white
4215 335-901	Idem	RAL 9001 cream
4215 335-755	Idem (* = Textured)	RAL 7016 anthracite grey*






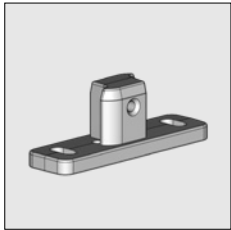
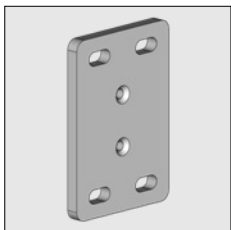
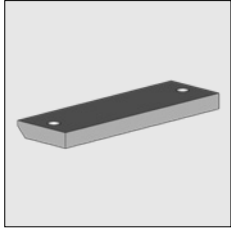


4215 336-000	Alu side guide support 70 mm high for 2 profiles	Mill finish
4215 336-006	Idem	RAL 9010 pure white
4215 336-901	Idem	RAL 9001 cream
4215 336-755	Idem (* = Textured)	RAL 7016 anthracite grey*



4215 337-000	Alu side guide support 100 mm high	Mill finish
4215 337-006	Idem	RAL 9010 pure white
4215 337-901	Idem	RAL 9001 cream
4215 337-755	Idem (* = Textured)	RAL 7016 anthracite grey*

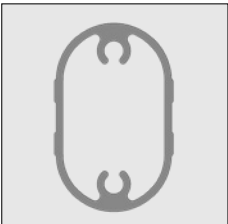
# = Article will be sold out. Special orders remain possible.

# Conservatory awning Solidare®

Part number	Description	Paint finish	Length in m <sup>1</sup> Pack. Unit
	4215 338-000 Alu side guide support 100 mm high for 2 profiles	Mill finish	
	4215 338-006 Idem	RAL 9010 pure white	
	4215 338-901 Idem	RAL 9001 cream	
	4215 338-755 Idem (* = Textured)	RAL 7016 anthracite grey*	
	4215 333-000 Alu side guide support 135 mm high	Mill finish	
	4215 333-006 Idem	RAL 9010 pure white	
	4215 333-901 Idem	RAL 9001 cream	
	4215 333-755 Idem (* = Texturced)	RAL 7016 anthracite grey*	
	4215 334-000 Alu side guide support 135 mm high for 2 profiles	Mill finish	
	4215 334-006 Idem	RAL 9010 pure white	
	4215 334-901 Idem	RAL 9001 cream	
	4215 334-755 Idem (* = Textured)	RAL 7016 anthracite grey*	
	4215 342-000 Separate alu support (for upper and bottom) Height of the tab which goes in the connection tube is 26 mm	Mill finish	
	4215 344-000 Separate alu plate (upper side) to fix 2 profiles	Mill finish	
	4217 074-000 Fastening plate for side guide support		
	4410 409-000 Stud bolt M 6 x 16 mm (for fastening the plate to the support)		100
	4410 402-000 Washer M6		100

# = Article will be sold out. Special orders remain possible.

# Conservatory awning Solidare®

	Part number	Description	Paint finish	Length in m <sup>1</sup> Pack. Unit
	4210 142-000	Plate screw countersunk Philips head 4.2 x 32 mm (for fastening the support to the connection tube)		100
	4210 039-000	Stainless steel countersunk cross screw M 6 x 16 mm (for fastening connection tube to the support)		100
	6295 696-000	Alu side guide support profile To raise the supports 4215 335/336/337/338-...	Mill finish	6.0
	4215 339-006	Alu side guide support profile To raise the supports 4215 335/336/337/338-...	RAL 9010 pure white	1.15
	4215 339-901	Idem	RAL 9001 cream	1.15
	4215 339-755	Idem (* = Textured)	RAL 7016 anthracite grey*	1.15